

## MDSTBV 2,5/ 3-G

Order No.: 1763045

The figure shows a 10-position version of the product

<http://eshop.phoenixcontact.de/phoenix/treeViewClick.do?UID=1763045>Header, nominal current: 10 A, rated voltage: 250 V, pitch: 5.0 mm, no.  
of positions: 3, mounting: Soldering

### Commercial data

EAN	4017918031619
Pack	50 Pcs.
Customs tariff	85366990
Weight/Piece	0.004717 KG
Catalog page information	Page 230 (CC-2007)

### Product notes

WEEE/RoHS-compliant since:  
01/01/2003

<http://www.download.phoenixcontact.com>  
Please note that the data given here has been taken from the online catalog. For comprehensive information and data, please refer to the user documentation. The General Terms and Conditions of Use apply to Internet downloads.

### Technical data

#### Dimensions / positions

Pitch	5 mm
Dimension a	10 mm
Number of positions	3
Pin dimensions	1 x 1 mm
Hole diameter	1.4 mm

**Technical data**

Insulating material group	I
Rated surge voltage (III/3)	4 kV
Rated surge voltage (III/2)	4 kV
Rated surge voltage (II/2)	4 kV
Rated voltage (III/2)	320 V
Rated voltage (II/2)	400 V
Connection in acc. with standard	EN-VDE
Nominal current $I_N$	10 A
Nominal voltage $U_N$	250 V
Maximum load current	10 A
Insulating material	PBT
Inflammability class acc. to UL 94	V0

**Certificates / Approvals**

Approval logo



**CSA**

Nominal voltage $U_N$	300 V
Nominal current $I_N$	10 A

**CUL**

Nominal voltage $U_N$	300 V
Nominal current $I_N$	10 A

**UL**

Nominal voltage $U_N$	300 V
Nominal current $I_N$	10 A
Certification	CB, CSA, CUL, GOST, UL, VDE-PZI

**Accessories**

Item	Designation	Description
<b>Assembly</b>		
1786679	MDSTB-SE	Side element, for lateral sealing of MSTB headers, 2.54 mm thick, color: green
1755477	MSTB-BL	Keying cap, for forming sections, plugs onto header pin, green insulating material

<b>General</b>		
1836477	MDSTBV 2,5/ 2-GFL-5,08	Header, nominal current: 10 A, rated voltage: 250 V, pitch: 5.08 mm, no. of positions: 2, mounting: Soldering
1836480	MDSTBV 2,5/ 2-GFR-5,08	Header, nominal current: 10 A, rated voltage: 250 V, pitch: 5.08 mm, no. of positions: 2, mounting: Soldering

<b>Marking</b>		
0804183	SK 5/3,8:FORTL.ZAHLEN	Marker card, printed horizontally, self-adhesive, 12 identical decades marked 1-10, 11-20 etc. up to 91-(99)100, sufficient for 120 terminal blocks

<b>Plug/Adapter</b>		
1734401	CR-MSTB	Coding section, inserted into the recess in the header or the inverted plug, red insulating material

**Additional products**

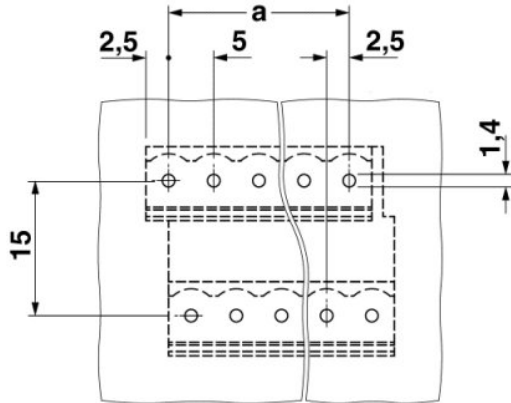
Item	Designation	Description
<b>Assembly</b>		
1909223	FKCT 2,5/ 3-ST	Plug component, nominal current: 12 A, rated voltage: 250 V, pitch: 5.0 mm, no. of positions: 3, type of connection: Spring-cage connection
1779848	MSTBT 2,5/ 3-ST	Plug component, nominal current: 12 A, rated voltage: 250 V, pitch: 5.0 mm, no. of positions: 3, type of connection: Screw connection

<b>General</b>		
1910364	FKC 2,5/ 3-ST	Plug component, nominal current: 12 A, rated voltage: 250 V, pitch: 5.0 mm, no. of positions: 3, type of connection: Spring-cage connection
1910539	FKC 2,5/ 3-STF	Plug component, nominal current: 12 A, rated voltage: 250 V, pitch: 5.0 mm, no. of positions: 3, type of connection: Spring-cage connection

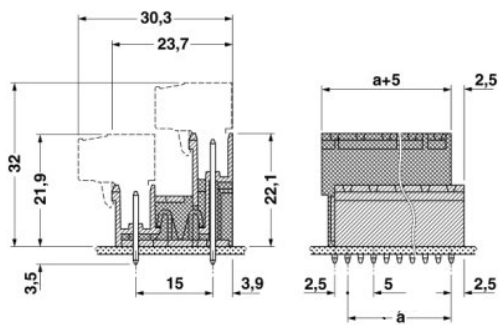
1909414	FKCT 2,5/ 3-STF	Plug component, nominal current: 12 A, rated voltage: 250 V, pitch: 5.0 mm, no. of positions: 3, type of connection: Spring-cage connection
1909728	FKCVR 2,5/ 3-ST	Plug component, nominal current: 12 A, rated voltage: 250 V, pitch: 5.0 mm, no. of positions: 3, type of connection: Spring-cage connection
1909896	FKCVR 2,5/ 3-STF	Plug component, nominal current: 12 A, rated voltage: 250 V, pitch: 5.0 mm, no. of positions: 3, type of connection: Spring-cage connection
1910047	FKCVW 2,5/ 3-ST	Plug component, nominal current: 12 A, rated voltage: 250 V, pitch: 5.0 mm, no. of positions: 3, type of connection: Spring-cage connection
1910212	FKCVW 2,5/ 3-STF	Plug component, nominal current: 12 A, rated voltage: 250 V, pitch: 5.0 mm, no. of positions: 3, type of connection: Spring-cage connection
1779424	FRONT-MSTB 2,5/ 3-ST	Plug component, nominal current: 12 A, rated voltage: 250 V, pitch: 5.0 mm, no. of positions: 3, type of connection: Screw connection
1779657	FRONT-MSTB 2,5/ 3-STF	Plug with screw flange, nominal current: 12 A, rated voltage: 250 V, pitch: 5,0 mm, no. of positions: 3, type of connection: Screw connection
1754465	MSTB 2,5/ 3-ST	Plug component, nominal current: 12 A, rated voltage: 250 V, pitch: 5.0 mm, no. of positions: 3, type of connection: Screw connection
1786844	MSTB 2,5/ 3-STF	Plug component, nominal current: 12 A, rated voltage: 250 V, pitch: 5.0 mm, no. of positions: 3, type of connection: Screw connection
1765784	MSTBP 2,5/ 3-ST	Plug component, nominal current: 12 A, rated voltage: 250 V, pitch: 5.0 mm, no. of positions: 3, type of connection: Screw connection
1792029	MVSTBR 2,5/ 3-ST	Plug component, nominal current: 12 A, rated voltage: 250 V, pitch: 5.0 mm, no. of positions: 3, type of connection: Screw connection
1835481	MVSTBR 2,5/ 3-STF	Plug with screw flange, nominal current: 12 A, rated voltage: 250 V, pitch: 5,0 mm, no. of positions: 3, type of connection: Screw connection
1792537	MVSTBW 2,5/ 3-ST	Plug component, nominal current: 12 A, rated voltage: 250 V, pitch: 5.0 mm, no. of positions: 3, type of connection: Screw connection
1835290	MVSTBW 2,5/ 3-STF	Plug component, nominal current: 12 A, rated voltage: 250 V, pitch: 5.0 mm, no. of positions: 3, type of connection: Screw connection
1768778	SMSTB 2,5/ 3-ST	Plug component, nominal current: 12 A, rated voltage: 250 V, pitch: 5.0 mm, no. of positions: 3, type of connection: Screw connection

## Drawings

### Drilling diagram



### Dimensioned drawing



**Address**

PHOENIX CONTACT GmbH & Co. KG  
Flachsmarktstr. 8  
32825 Blomberg, Germany  
Phone +49 5235 3 00  
Fax +49 5235 3 41200  
<http://www.phoenixcontact.de>



© 2008 Phoenix Contact  
Technical modifications reserved;